



**Pro Gyro™**  
**Bi-Polar Version**

## Owner's Manual



### 1. Introduction

Watson Industries has been designing and making solid-state gyros since 1980. They have now produced a new series of rate gyros, the Pro Gyro™. This breakthrough new gyro is built to be a VSG replacement and much more. Based on proven technology, this gyro is built under AS9100 quality standards with many new features.

### 2. Description

The Pro Gyro™ is a solid state, single-axis, angular rate sensor. A vibrating structure detects angular rotation about the sensitive axis by sensing changes in the vibration pattern produced by Coriolis forces acting upon the gyro element. A sophisticated detection circuit then produces a DC voltage output proportional to the rate of rotation.

The Pro Gyro™ has enhanced performance for acceleration insensitivity; low mounting sensitivity and excellent vibration rejection. Features that are standard for the Pro Gyro™ include available rate ranges up to 300 degrees per second, internal power regulation for power input between 8 volts and 45 volts, EMI and RFI protection, and a case mounted connector.

This gyro has a Built In Test (BIT) output. This connection presents 5 volts DC when the unit is on and within normal operating parameters. This BIT function will detect almost all defects in the operation of the gyro plus it indicates as a fault when the gyro temperature exceeds its normal operating range.

### 3. Characteristics

#### 3.1 Electrical

The input range, sensitivity, and resolution for different bipolar versions of the Pro Gyro™ are given in Table 1.

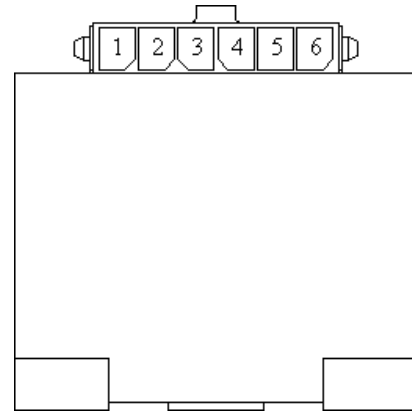
Part Number	Rate Input Range %s	Nominal Scale Factor		Resolution	Voltage Range for Full Scale Rate*
		mV/%s	%s/V		
PRO-122-3A	±50	100	10	0.013	±5 V
PRO-132-3A	±100	50	20	0.025	±5 V
PRO-142-3A	±200	25	40	0.05	±5 V
	Additional scale factors available on request.				

\*Note: Some over range signal is available.

**Table 1**

#### Connector Pin-outs:

Pin	Description
1	+8 to +45V Supply
2	Power Ground
3	Angular Rate Output
4	+2.5 Voltage Reference Output
5	Signal Ground (Connected internally to Pin 2)
6	Built In Test (BIT) Output



#### Optional Wire Bundle (Flying Leads):

Wire Color	Description
Red	+8 to +45V Supply
Black	Power Ground
Blue	Angular Rate Output
Orange	+2.5 Voltage Reference Output
Green	Signal Ground (Connected internally to Pin 2)
Yellow	Built In Test (BIT) Output

**Figure 1: Electrical Interface**

## 3.2 Pro Gyro™ Specifications

### Angular Rate

Range:	±100°/sec (Typical)	See table 1 above
Resolution:	0.025°/sec	
Analog Scale Factor:	50mV/°/sec (Typical)	See table 1 above
Scale Factor Accuracy:	0.2%	At constant room temperature
Scale Factor Temp Coefficient:	0.5%	Over temperature range
Bias: At room temp	±0.1°/sec	
Bias: Zero Bias	±0.1°/sec	Run-To-Run variation
Bias: Over Temp Range	±0.5°/sec	
Warm-up Drift:	±0.6°/sec	
Non-Linearity:	< 0.03%	Full scale range
Bandwidth:	> 70 Hz	
Noise:	< 0.07°/sec rms	1 Hz to 100 Hz

### Environmental

Temperature: Operating	-40°C to +85°C	
Temperature: Storage	-55°C to +85°C	
Vibration: Operating	5g rms	20Hz to 2kHz
Vibration: Survival	10g rms	20Hz to 2kHz
Shock: Survival	500g	10ms ½ sine wave

### Electrical

Input Power:	8 to 45 VDC	Reverse Protected
Input Current:	60mA at 12V	0.7W
Analog Output	±5VDC	
Output Impedance:	1000 Ohm	5%

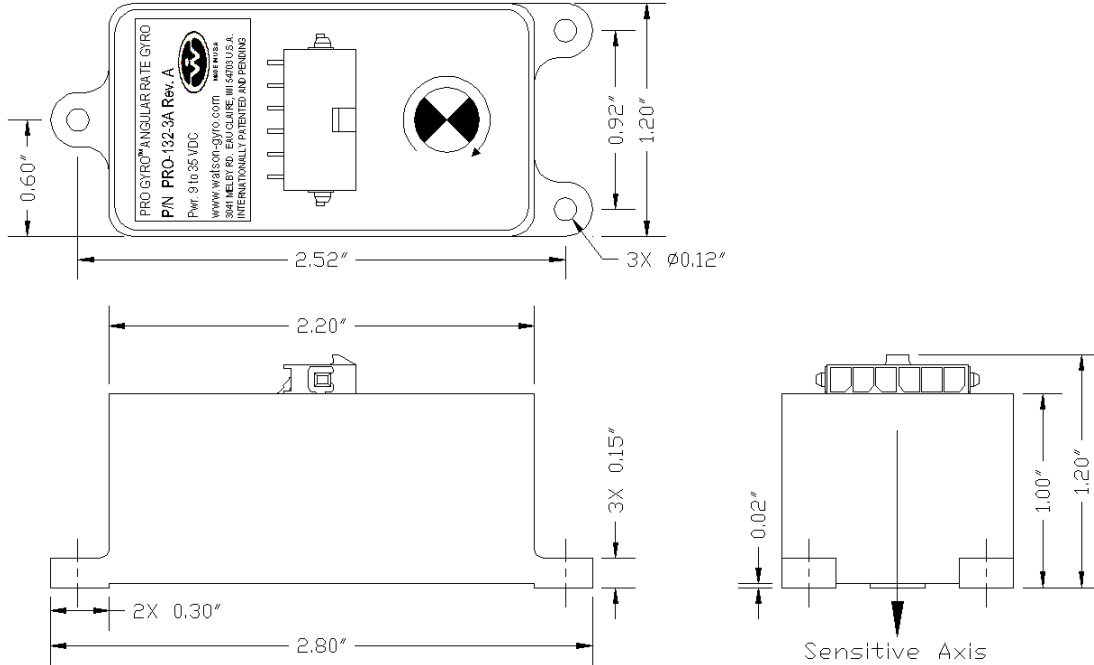
### Physical

Size: Including Mounting Flanges	1.2"W x 2.8"L x 1.2"H	30 x 71 x 30 (mm)
Weight:	2.2 oz	60g
Connection:	Amp 1445057-6 Connector	Wire bundle optional
Life:	> 100,000 Hours MTBF	20 years shelf life

- Specifications are subject to change without notice.
- This product may be subject to export restrictions. Please consult the factory.

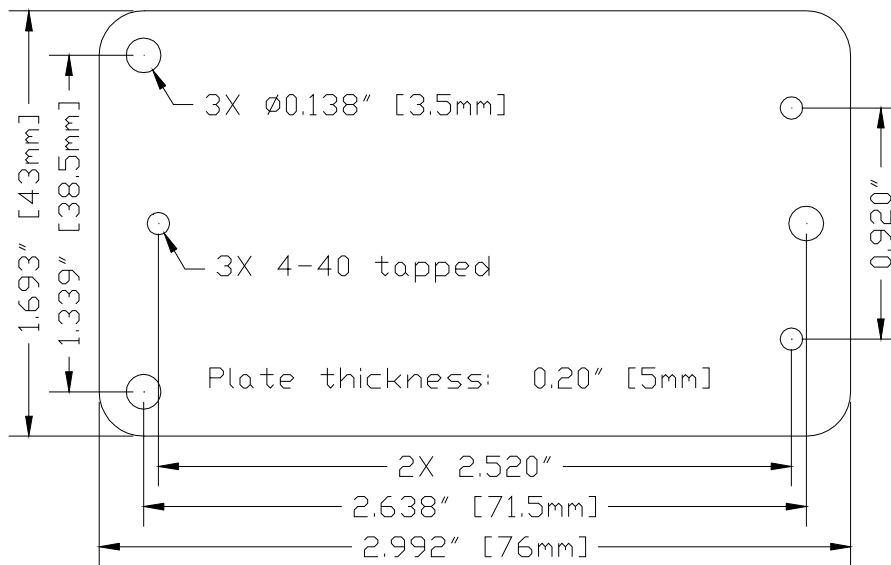
### 3.3 Mounting

The physical dimensions of the unit are shown in Figure 2. A three-point mounting is provided on the case of the unit. The gyro is to be attached by three # 4 screws (or 3 mm) through the 0.120" holes in the mounting feet. To avoid distortion, the gyro must be attached to a clean, flat surface, and the fasteners must be tightened evenly.



**Figure 2: Dimensions**

This gyro can serve as a replacement for the VSG – manufactured by British Aerospace. To facilitate this process, we offer an adapter plate as an option.



**Figure 3: Optional VSG Adapter Plate**

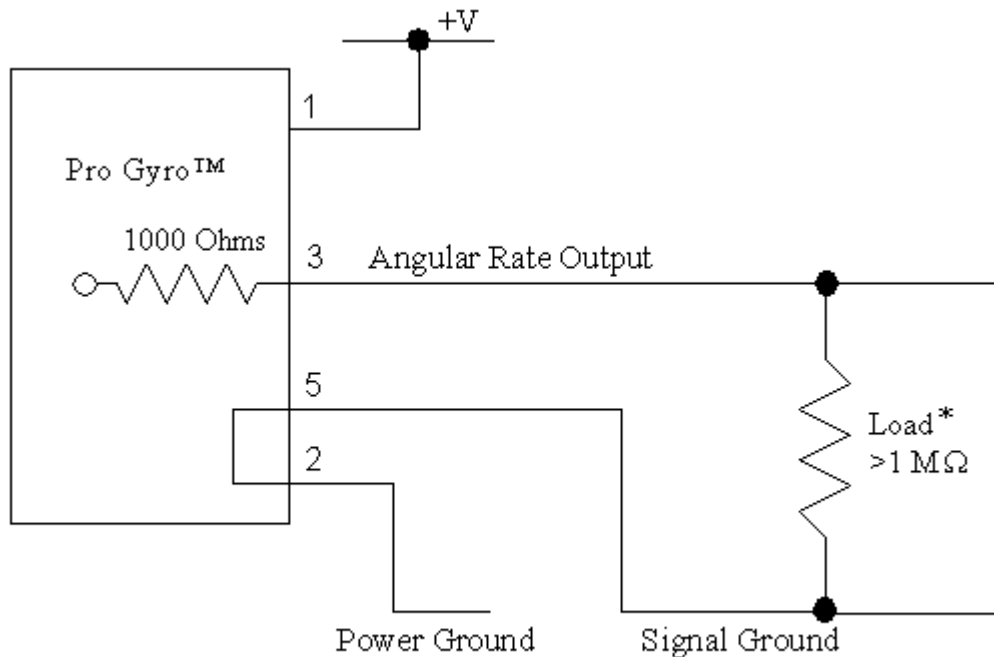
## 4. Constraints

The case of the Pro Gyro™ is splash resistant, but not hermetically sealed. Avoid prolonged exposure to moisture.

The power ground is already connected internally to the signal ground. Do not connect the ground wires externally.

*The Pro Gyro™ although of rugged design, is a sensitive instrument. Take care when handling it.*

## 5. Typical Operating Circuits



\*Note: For loads less than 1,000,000 ohms, the scale of the output will be affected

**Figure 3: Typical Configuration**

## **Warning**

Rough handling, dropping, or miswiring this unit is likely to cause damage.

### **DISCLAIMER**

The information contained in this manual is believed to be accurate and reliable; however, it is the user's responsibility to test and to determine whether a Watson Industries' product is suitable for a particular use.

Suggestion of uses should not be taken as inducements to infringe upon any patents.

### **WARRANTY**

Watson Industries, Inc. warrants, to the original purchaser, this product to be free from defective material or workmanship for a period of two full years from the date of purchase. Watson Industries' liability under this warranty is limited to repairing or replacing, at Watson Industries' sole discretion, the defective product when returned to the factory, shipping charges prepaid, within two full years from the date of purchase. The warranty described in this paragraph shall be in lieu of any other warranty, express or implied, including but not limited to any implied warranty of merchantability or fitness for a particular purpose.

Excluded from any warranty given by Watson Industries are products that have been subject to abuse, misuse, damage or accident; that have been connected, installed or adjusted contrary to the instructions furnished by seller; or that have been repaired by persons not authorized by Watson Industries.

Watson Industries reserves the right to discontinue models, to change specifications, price or design of this product at any time without notice and without incurring any obligation whatsoever.

The purchaser agrees to assume all liabilities for any damages and/or bodily injury which may result from the use, or misuse, of this product by the purchaser, his employees or agents. The purchaser further agrees that seller shall not be liable in any way for consequential damages resulting from the use of this product.

No agent or representative of Watson Industries is authorized to assume, and Watson Industries will not be bound by any other obligation or representation made in connection with the sale and/or purchase of this product.

### **PRODUCT LIFE**

The maximum expected life of this product is 20 years from the date of purchase. Watson Industries, Inc. recommends the replacement of any product that has exceeded the product life expectation.

## SERVICE

Watson Industries, Inc. in the USA and Watson Industries Ltd. in the UK are the only service outlets. All service is performed at these facilities. In order to insure prompt service, prior to returning units for repair please call, write or fax:

Watson Industries, Inc.  
3041 Melby Road  
Eau Claire, WI 54703  
ATTN: Service Department  
Telephone: +1 715 839-0628  
Fax: +1 715 839-8248  
Email: [support@watson-gyro.com](mailto:support@watson-gyro.com)  
Internet: [www.watson-gyro.com](http://www.watson-gyro.com)

Watson Industries Ltd.  
Unit 16 Basepoint Business Park  
Caxton Close  
Andover, Hampshire SP103FG  
Telephone: +44 (0)1264 326488  
Fax: +44 (0)1264 326487  
Email: [support@watson-gyro.co.uk](mailto:support@watson-gyro.co.uk)  
Internet: [www.watson-gyro.co.uk](http://www.watson-gyro.co.uk)

All sensors returned under warranty will be repaired (or replaced at the sole option of Watson Industries) at no cost to the customer other than shipping charge from customer to Watson Industries (plus any export and transportation charges outside the United States or the UK as applicable).

In the case of units not under warranty, a flat repair fee will be charged. This fee can be determined by contacting Watson Industries. Modified units or those subjected to extreme abuse may be returned to the customer unrepaired.